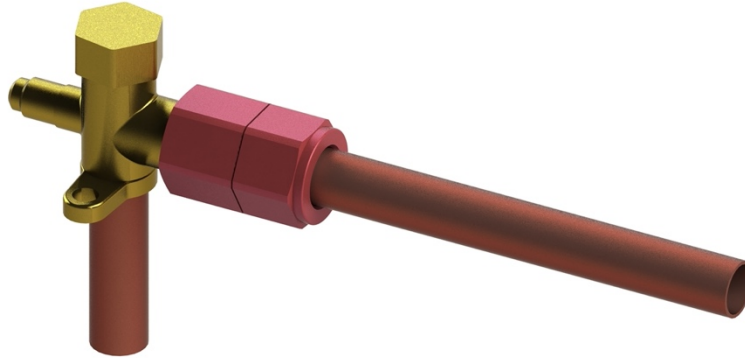




Submittal

Flare Connector Reducer Special (FCMA)

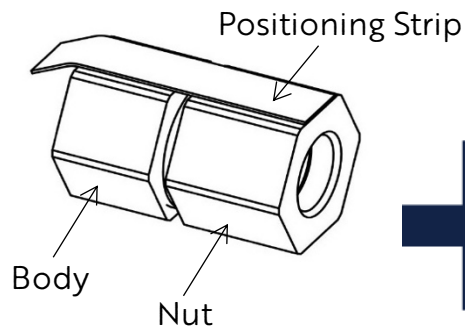
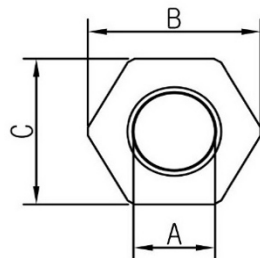
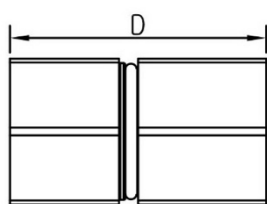


Features :

1. Connecting tube to flare valve without flaring work.
2. Specially designed to use multiple angle degrees (such as 37.5° and 45°) of flare valve.
3. Positioning strip aligns all components for easy insertion of tube.
4. Compatible with all refrigerant gases.
5. No limit on pressure and temperature range due to metal to metal sealing technology.
6. Over torque prevention design.
7. Material: Aluminum alloy
8. Color: Red

Dimensions :

Model	A Inch (mm)	B Inch (mm)	C Inch (mm)	D Inch (mm)
FCMA1400	0.250 (6.35)	0.748 (19.0)	0.669 (17.0)	1.358 (34.5)
FCMA3800	0.375 (9.52)	0.984 (25.0)	0.866 (22.0)	1.461 (37.1)
FCMA1200	0.500 (12.7)	1.063 (27.0)	0.945 (24.0)	1.512 (38.4)
FCMA5800	0.625 (15.88)	1.181 (30.0)	1.063 (27.0)	1.713 (43.5)
FCMA3400	0.750 (19.05)	1.417 (36.0)	1.260 (32.0)	1.732 (44.0)



Flare Connector Reducer Special (FCRS)

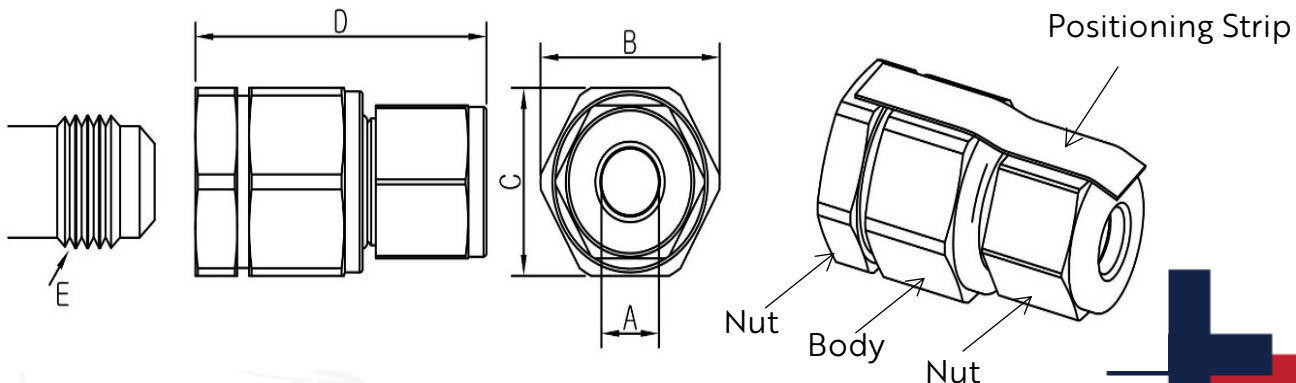


Features :

1. Connecting smaller size tube to larger flare valve without flaring or brazing work
2. Specially designed to use multiple angle degrees (such as 37.5° and 45°) of flare valve.
3. Positioning strip aligns all components for easy insertion of tube.
4. Compatible with all refrigerant gases.
3. Same fastening torque design for flare valve and small size tube.
4. Over torque prevention design.
7. No limit on pressure and temperature range due to metal to metal sealing technology.
8. Material: Aluminum alloy
9. Color: Red

Dimensions :

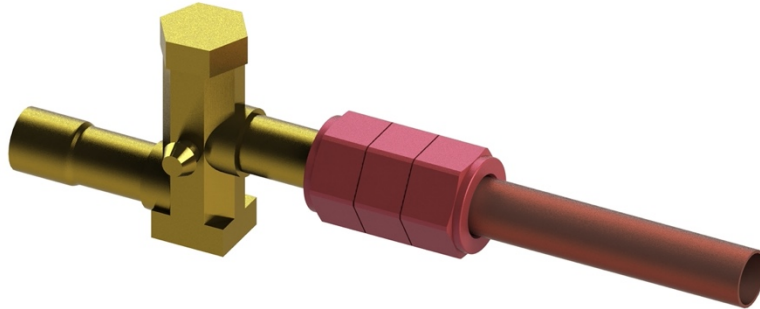
Model	A Inch (mm)	B Inch (mm)	C Inch (mm)	D Inch (mm)	E Socket Size
FCRS1238	0.375 (9.52)	1.063 (27.0)	0.945 (24.0)	1.917 (48.7)	1/2 Inch 3/4" - 16UNF





Submittal

Swage Union (SWUN)

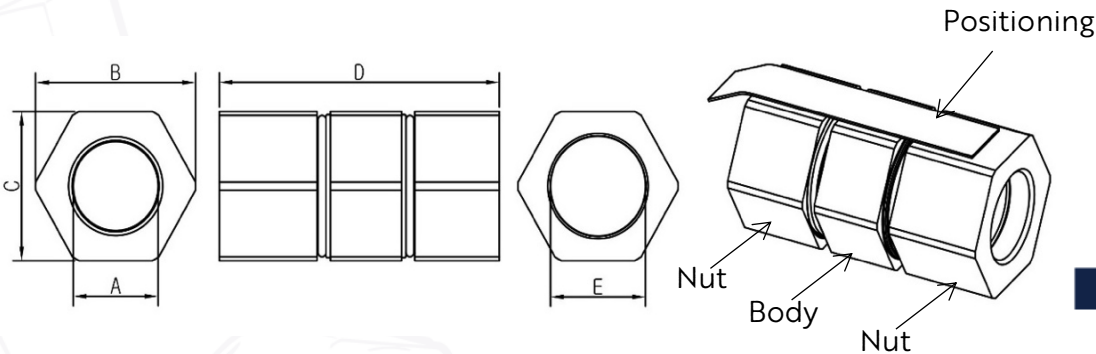


Features :

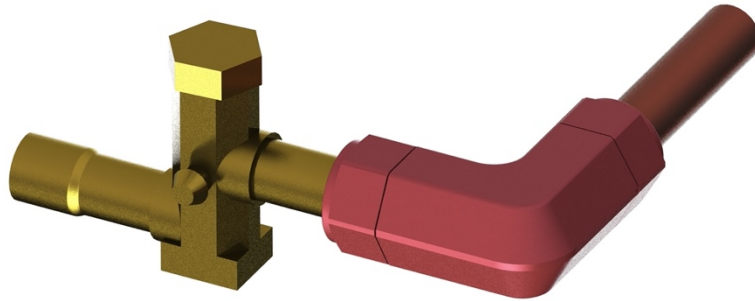
1. Connecting swage tube or valve to tube without brazing.
2. Positioning strip aligns all components for easy insertion fitting onto swage valve and tube.
3. Compatible with all refrigerant gases.
4. No limit on pressure and temperature range due to metal to metal sealing technology.
5. Over torque prevention design.
6. Material : Aluminum alloy
7. Color : Red

Dimensions :

Model	A Inch (mm)	B Inch (mm)	C Inch (mm)	D Inch (mm)	E Inch (mm)
SWUN3800	0.375 (9.52)	0.984 (25.0)	0.866 (22.0)	2.106 (53.5)	0.469 (11.9)
SWUN5800	0.625 (15.88)	1.181 (30.0)	1.063 (27.0)	2.382 (60.5)	0.720 (18.3)
SWUN3400	0.750 (19.05)	1.417 (36.0)	1.260 (32.0)	2.402 (61.0)	0.850 (21.6)
SWUN7800	0.875 (22.22)	1.575 (40.0)	1.417 (36.0)	2.480 (63.0)	0.980 (24.9)



Elbow Swage Union (ELSW)

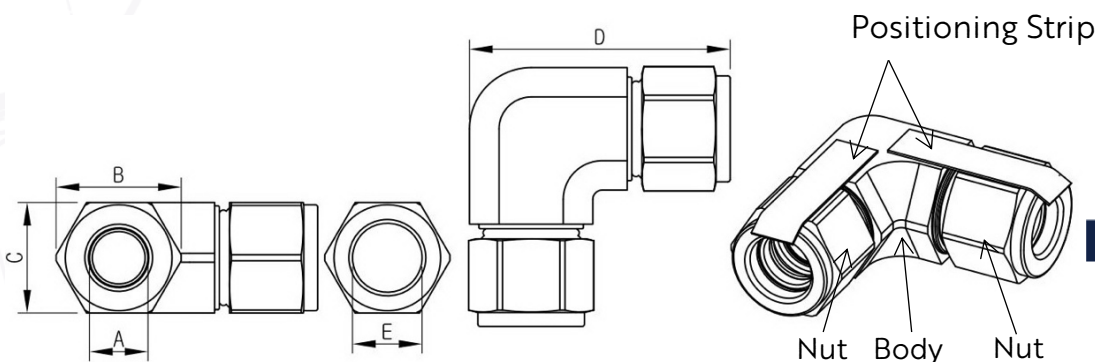


Features :

1. Connecting swage valve to tube at a 90 degree angle without the need for brazing.
2. Excellent application for limited spaces between unit (swage valve) and tube.
3. Positioning strip aligns all components for easy insertion fitting onto swage valve and tube.
4. Compatible with all refrigerant gases.
5. No limit on pressure and temperature range due to metal to metal sealing technology.
6. Over torque prevention design.
7. Material : Aluminum alloy
8. Color : Red

Dimension :

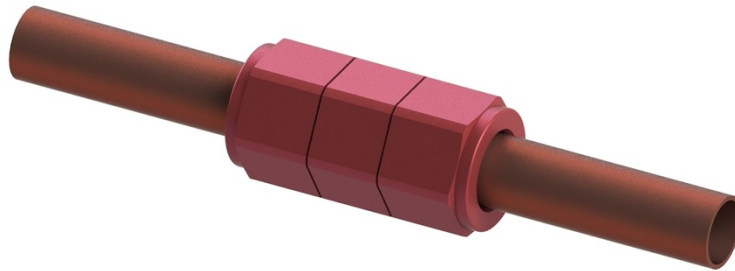
Model	A Inch (mm)	B Inch (mm)	C Inch (mm)	D Inch (mm)	E Inch (mm)
ELSW3800	0.375 (9.52)	0.984 (25.0)	0.866 (22.0)	2.212 (56.2)	0.469 (11.9)
ELSW5800	0.625 (15.88)	1.181 (30.0)	1.063 (27.0)	2.685 (68.2)	0.720 (18.3)
ELSW3400	0.750 (19.05)	1.417 (36.0)	1.260 (32.0)	3.177 (80.7)	0.850 (21.6)
ELSW7800	0.875 (22.22)	1.575 (40.0)	1.417 (36.0)	3.394 (86.2)	0.980 (24.9)





Submittal

Union Straight (UNST)

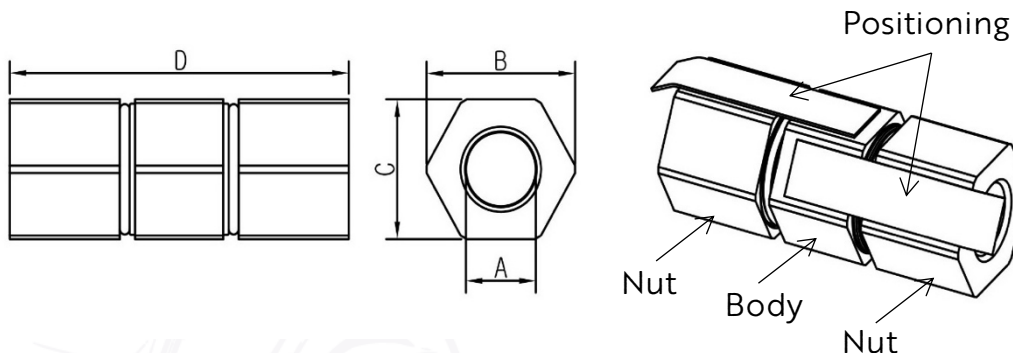


Features :

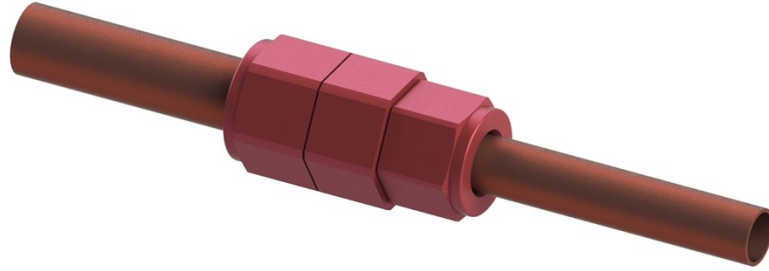
1. Connect tube to tube without brazing.
2. Positioning strip aligns all components for easy insertion of tube.
3. Compatible with all refrigerant gases.
4. No limit on pressure and temperature range due to metal to metal sealing technology.
5. Over torque prevention design.
6. Material : Aluminum alloy
7. Color : Red

Dimension :

Model	A Inch (mm)	B Inch (mm)	C Inch (mm)	D Inch (mm)
UNST1400	0.250 (6.35)	0.748 (19.0)	0.669 (17.0)	2.091 (53.1)
UNST3800	0.375 (9.52)	0.984 (25.0)	0.866 (22.0)	2.138 (54.3)
UNST1200	0.500 (12.7)	1.063 (27.0)	0.945 (24.0)	2.272 (57.7)
UNST5800	0.625 (15.88)	1.181 (30.0)	1.063 (27.0)	2.472 (62.8)
UNST3400	0.750 (19.05)	1.417 (36.0)	1.260 (32.0)	2.480 (63.0)
UNST7800	0.875 (22.22)	1.575 (40.0)	1.417 (36.0)	2.480 (63.0)



Union Reducer (UNRD)

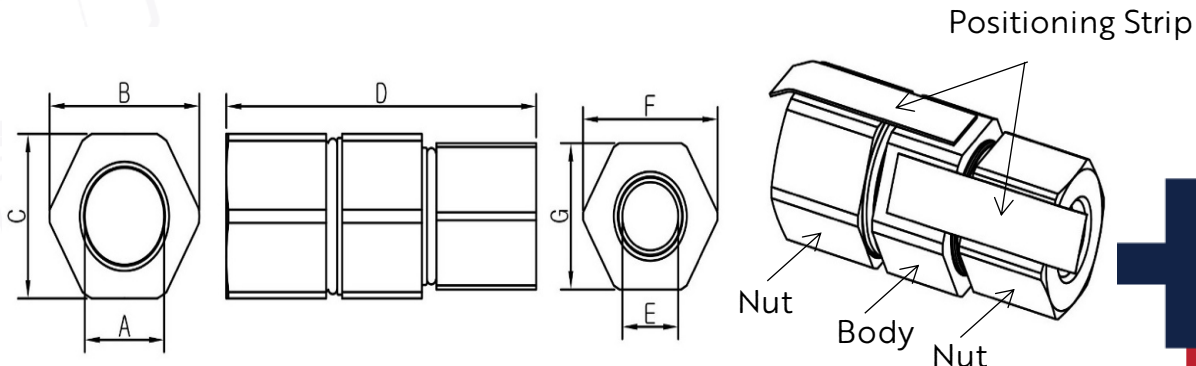


Features :

1. Connect tube to tube without brazing.
2. Positioning strip aligns all components for easy insertion of tube.
3. Compatible with all refrigerant gases.
4. No limit on pressure and temperature range due to metal to metal sealing technology.
5. Over torque prevention design.
6. Material : Aluminum alloy
7. Color : Red

Dimension :

Model	A Inch (mm)	B Inch (mm)	C Inch (mm)	D Inch (mm)	E Inch (mm)	F Inch (mm)	G Inch (mm)
UNRD3814	0.375(9.52)	0.984(25.0)	0.866(22.0)	2.134(54.2)	0.250(6.35)	0.748(19.0)	0.669(17.0)
UNRD1238	0.500(12.7)	1.063(27.0)	0.945(24.0)	2.248(57.1)	0.375(9.52)	0.984(25.0)	0.866(22.0)
UNRD5812	0.625(15.88)	1.181(30.0)	1.063(27.0)	2.453(62.3)	0.500(12.7)	1.063(27.0)	0.945(24.0)
UNRD3458	0.750(19.05)	1.417(36.0)	1.260(32.0)	2.480(63.0)	0.625(15.88)	1.181(30.0)	1.063(27.0)
UNRD7834	0.875(22.22)	1.575(40.0)	1.417(36.0)	2.480(63.0)	0.750(19.05)	1.417(36.0)	1.260(32.0)





Submittal

Elbow Union (ELUN)



Features :

1. Connect tube to tube at 90 degree without any bending work.
2. Eliminates the need for brazing.
3. Positioning strip aligns all components for easy insertion of tube.
4. Compatible with all refrigerant gases.
5. No limit on pressure and temperature range due to metal to metal sealing technology.
6. Over torque prevention design.
7. Material : Aluminum alloy
8. Colo : Red

Dimensions :

Model	A Inch (mm)	B Inch (mm)	C Inch (mm)	D Inch (mm)
ELUN1200	0.500 (12.7)	1.063 (27.0)	0.945 (24.0)	2.291 (58.2)
ELUN5800	0.625 (15.88)	1.181 (30.0)	1.063 (27.0)	2.685 (68.2)
ELUN3400	0.750 (19.05)	1.417 (36.0)	1.260 (32.0)	3.177 (80.7)
ELUN7800	0.875 (22.22)	1.575 (40.0)	1.417 (36.0)	3.394 (86.2)

