

# WALL VENTS

---



## PLASTIC WALL VENTS- UFH\_\_



| UFH    |      |        |        |
|--------|------|--------|--------|
| ITEM # | SIZE | BROWN  | WHITE  |
| UFH3_  | 3    | UFH3BR | UFH3WH |
| UFH4_  | 4    | UFH4BR | UFH4WH |

- Made of narrow molecular weight Polyethelene with a brittleness temperature of -99F. It has ultraviolet/ antioxidant additives for resistance and color fastness, thus the life of the plastic will outlast most roofing materials.
- Extra heavy borders for secure and durable mounting
- Full 1" collar for secure pipe attachment
- Available with or without collar
- Available colors are white and brown



---

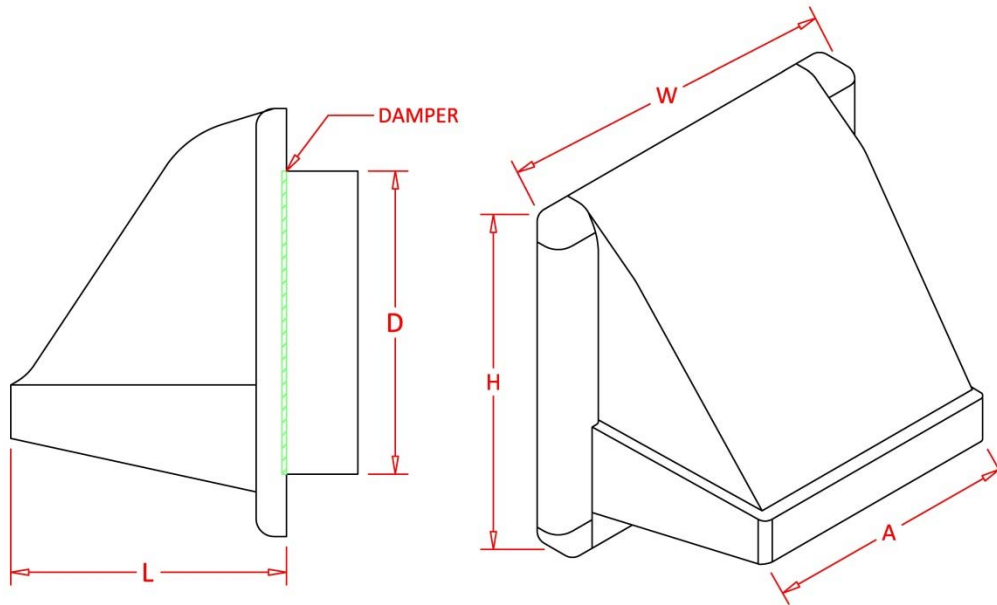
**FRESH AIR MANUFACTURING CO.**  
*Technologies in Ventilation*

649 N. Ralstin St., Meridian, ID 83642 \* (208)884-8931 \* (800)-234-1903 \* FAX: (208)884-8943

# WALL VENTS



## PLASTIC WALL VENTS- UFH\_\_



| DRYER VENT WITH HOOD AND DAMPER |       |      |                               |   |                                 |                               |                           |
|---------------------------------|-------|------|-------------------------------|---|---------------------------------|-------------------------------|---------------------------|
| ITEM #                          | COLOR | SIZE | W/H                           | L | D                               | A                             | FREE AREA IN <sup>2</sup> |
| UFH3BR                          | BROWN | 3    | 6 <sup>1</sup> / <sub>8</sub> | 4 | 2 <sup>15</sup> / <sub>16</sub> | 4 <sup>1</sup> / <sub>2</sub> | 6.78                      |
| UFH3WH                          | WHITE | 3    | 6 <sup>1</sup> / <sub>8</sub> | 4 | 2 <sup>15</sup> / <sub>16</sub> | 4 <sup>1</sup> / <sub>2</sub> | 6.78                      |
| UFH4BR                          | BROWN | 4    | 6 <sup>1</sup> / <sub>8</sub> | 4 | 3 <sup>15</sup> / <sub>16</sub> | 4 <sup>1</sup> / <sub>2</sub> | 12.18                     |
| UFH4WH                          | WHITE | 4    | 6 <sup>1</sup> / <sub>8</sub> | 4 | 3 <sup>15</sup> / <sub>16</sub> | 4 <sup>1</sup> / <sub>2</sub> | 12.18                     |

- Extra heavy borders for secure and durable mounting
- Full 1" collar for secure pipe attachment
- Available with or without collar
- Available colors are white and brown



**FRESH AIR MANUFACTURING CO.**  
Technologies in Ventilation

649 N. Ralstin St., Meridian, ID 83642 \* (208)884-8931 \* (800)-234-1903 \* FAX: (208)884-8943