



FIRST CO.  
P.O. BOX 270969 - DALLAS, TEXAS 75227  
PH. (214) 388-5751 | FAX (214) 388-2255  
WWW.FIRSTCO.COM

## MB-HW SERIES *Vertical/Horizontal*



- 4 - Pipe Cooling and Heating
- Copper tube heating and cooling coils
- Heating coil is down stream from blower
- Manual air bleed on hot water coil
- 120V motor – no controls
- Direct drive motor
- Convertible horizontal drain pan
- Factory installed filter



The **MB-HW** series fan coil comes with a 4 row cooling coil, 277V multi-speed motor, and up to 10kW of factory installed electric heat. *All models are ETL Listed.*

# MB-HW SERIES

The **MB-HW** Series 4-pipe fan coil includes a 4 row cooling coil, a 2, 3, or 4 row heating coil installed in the reheat position, and a 120V multi-speed motor. No controls are furnished.

## Basic Unit

All models are manufactured with **heavy gauge galvanized steel** to resist corrosion. Each cabinet is fully insulated. Coil connections are stubbed out the cabinet for easier installation.

## Coils

Coils have **3/8 inch copper tubing** expanded to high efficiency aluminum fins. Manual air vents are provided and all coils are pressure tested to 350 psig.

## Drain Pans

All fan coils can be installed vertically or horizontally (right-to-left airflow) with no modification. Horizontal drain pans can be repositioned within the cabinet to allow horizontal installation with left-to-right airflow. Each drain pan is coated with a "mastic" material to reduce corrosion. Threaded primary and secondary drain connections are also provided.

## Motors

Standard motors are **PSC type** with internal thermal overload protection and are mounted with rubber isolation bushings.

Blower wheels are centrifugal, forward curved, and dynamically balanced.

## Filters

One inch throw away filters are factory installed.

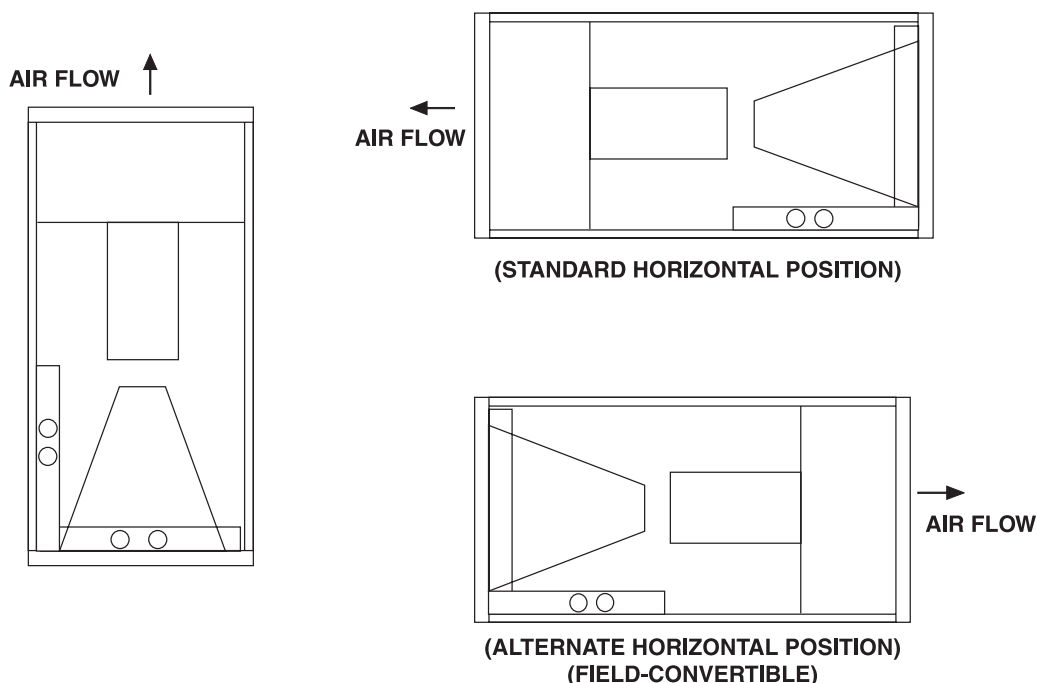
## Agency Listing

All standard models are **ETL Listed**.

## Optional "Autospeed 24V" control:

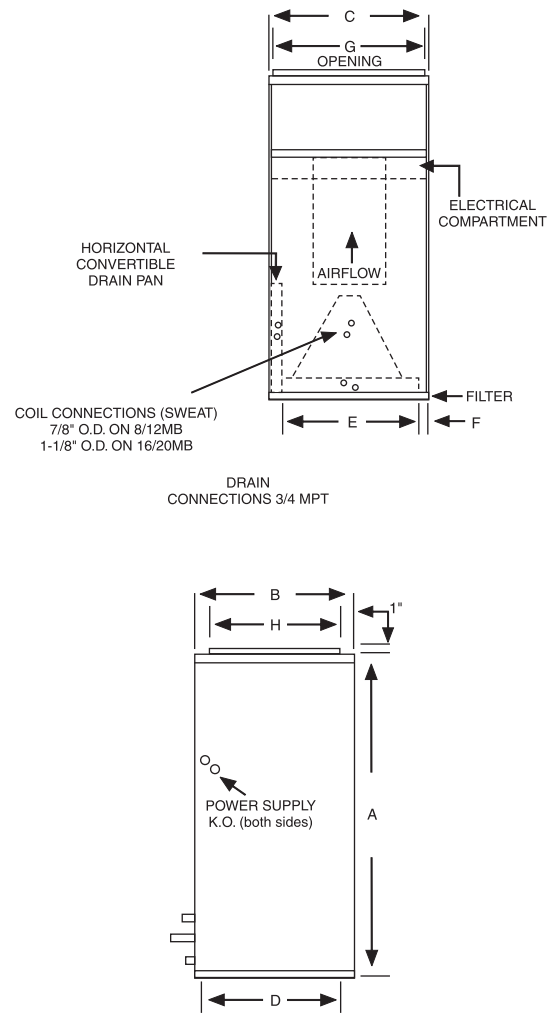
The MB and MB-HW models are available with an optional 24V 3-speed control board and a 24V 3-speed digital wall thermostat. This option, called the "Autospeed 24V", provides maximum comfort and efficiency by automatically selecting the appropriate High, Medium, or Low fan speed, depending on room temperature and thermostat temperature setting.

## 3-WAY AIRFLOW



# MB-HW SERIES

HOT WATER COIL PERFORMANCE DATA							
UNIT MODEL	CFM	GPM	P.D. (FT. WTR.)	HEATING BTUH (1000) AT ENTERING WATER TEMPERATURE (1)			
				120°F	140°F	160°F	180°F
8MB-2HW	800	1	0.13	13.6	19.0	24.4	29.9
		2	0.51	18.6	26.0	33.4	40.9
		3	1.13	20.9	29.3	37.7	46.0
	600	1	0.13	12.5	17.5	22.5	27.5
		2	0.51	16.5	23.1	29.7	36.3
		3	1.13	18.3	25.6	32.9	40.2
8MB-3HW	800	1	0.22	16.5	23.1	29.7	36.3
		2	0.83	23.2	32.6	41.9	51.2
		3	1.83	26.4	37.0	47.6	58.1
	600	1	0.22	15.2	21.3	27.4	33.5
		2	0.83	20.5	28.7	36.9	45.1
		3	1.83	22.9	32.0	41.1	50.3
10MB-3HW	1000	2	1.04	26.1	36.5	46.9	57.4
		4	3.64	32.4	45.4	58.4	71.3
		6	7.55	35.1	49.1	63.1	77.2
	800	2	1.04	23.9	33.5	43.1	52.6
		4	3.64	29.0	40.6	52.2	63.8
		6	7.55	31.0	43.4	55.8	68.2
12MB-3HW	1200	2	1.04	27.6	38.7	49.8	60.8
		4	3.64	35.1	49.2	63.3	77.3
		6	7.55	38.4	53.8	69.2	84.5
	1000	2	1.04	26.1	36.5	46.9	57.4
		4	3.64	32.4	45.4	58.4	71.3
		6	7.55	35.1	49.1	63.1	77.2
16MB-4HW	1600	4	1.40	49.6	69.5	89.4	109.2
		6	2.89	56.5	79.1	101.7	124.3
		8	4.83	60.4	84.6	108.8	132.9
	1400	4	1.40	47.0	65.8	84.6	103.4
		6	2.89	52.9	74.1	95.3	116.4
		8	4.83	56.2	78.7	101.2	123.7
20MB-4HW	2000	5	1.86	61.7	86.4	111.1	135.8
		7	3.33	68.9	96.5	124.1	151.6
		9	5.15	73.4	102.8	132.2	161.5
	1700	5	1.86	57.8	80.9	104.0	127.1
		7	3.33	63.7	89.2	114.7	140.2
		9	5.15	67.4	94.4	121.4	148.3



(1) Contact factory for capacities at other conditions.

BLOWER DATA									
UNIT MODEL	NOM. COOL TONS	MOTOR HP-AMP (120V)	MOTOR SPEED	CFM vs. EXTERNAL STATIC PRESSURE					
				0.05	0.10	0.20	0.30	0.40	0.50
8MB-HW	2	1/5-4.5	High	818	782	723	681	636	578
			Med	762	716	681	644	599	543
			Low	689	668	640	602	559	471
10MB-HW	2.5	1/5-4.5	High	1002	980	956	890	849	804
			Med	834	820	802	777	748	712
			Low	653	630	617	599	575	545
12MB-HW	3	1/2-8.0	High	1282	1221	1175	1123	1056	984
			Med	1209	1183	1132	1076	1004	944
			Low	1162	1122	1073	1015	956	895
16MB-HW	4	3/4-10.5	High	1585	1523	1471	1416	1353	1253
			Med	1453	1410	1360	1301	1232	1166
			Low	1242	1218	1181	1145	1100	1056
20MB-HW	5	1-10.4	High	1923	1858	1791	1713	1640	1517
			Med	1711	1657	1587	1524	1427	1353
			Low	1455	1415	1361	1279	1210	1147

PHYSICAL DIMENSIONS										
UNIT MODEL	A	B	C	D	E	F	G	H	FILTER SIZE	SHIP WT. (LBS)
8MB-HW	40	20	20	18-1/2	16	2	18	16	18 X 20 X 1	120
10/12MB-HW	42	23	20	21-1/2	16	2	18	19	20 X 22 X 1	135
16MB-HW	48	28	21-1/4	26-1/4	17-1/4	2	18	24	20 X 25 X 1	210
20MB-HW	52	28	25-1/4	26-1/2	21-1/4	2	22	24	14 X 24 X 1 (2 required)	260

## Features:

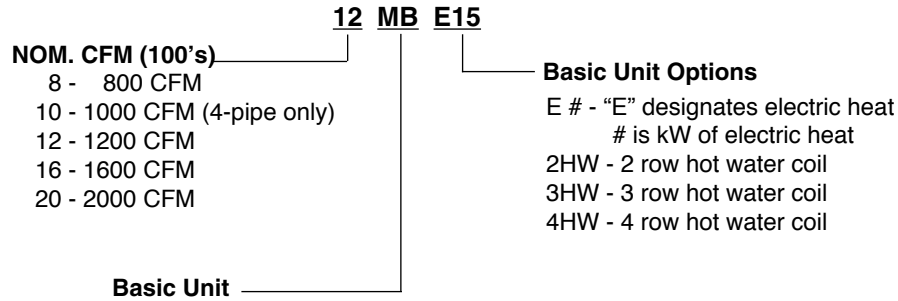
1. Separate cooling and heating coils (4 row cooling coil)
2. 120V multi-speed motor
3. Vertical / Horizontal drain pan (right-to-left and left-to-right airflow)
4. Manual air vent
5. Throw away filter



In keeping with its policy of continuous progress and product improvement, First Operations reserves the right to make changes without notice. Maintenance for all First Co. products is available under "Product Maintenance" at [www.firstco.com](http://www.firstco.com).

# MB-HW SERIES

## Model Number Nomenclature



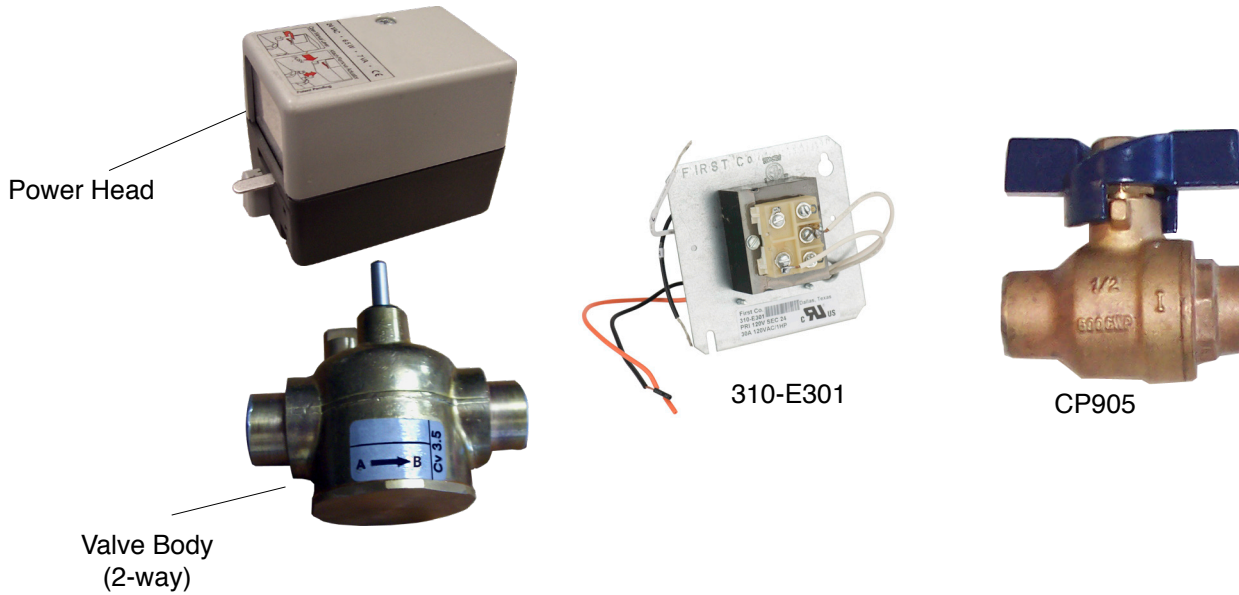
CHILLED WATER COOLING CAPACITY - 4 ROW (MB, MB-HW, MBE SERIES)															
UNIT MODEL	CFM	GPM	P.D. (FT. WTR.)	45° ENTERING WATER						42° ENTERING WATER					
				80° DB/67°F WB ENT. AIR			75° DB/63°F WB ENT. AIR			80° DB/67°F WB ENT. AIR			75° DB/63°F WB ENT. AIR		
				TOTAL MBH	SENS. MBH	TEMP. RISE	TOTAL MBH	SENS. MBH	TEMP. RISE	TOTAL MBH	SENS. MBH	TEMP. RISE	TOTAL MBH	SENS. MBH	TEMP. RISE
8MB	600	3.0	2.5	19.0	13.8	12.7	14.5	12.1	9.7	20.7	14.4	13.8	15.8	12.6	10.5
		4.5	5.5	22.4	15.1	9.9	17.1	13.1	7.6	24.4	15.9	10.8	18.6	13.7	8.3
		6.0	9.5	24.4	15.9	8.2	18.7	13.7	6.2	26.6	16.8	8.9	20.3	14.4	6.8
8MB	800	3.5	3.4	23.1	17.3	13.2	17.6	15.3	10.1	25.2	18.1	14.4	19.2	15.8	11.0
		5.0	6.7	26.9	18.7	10.7	20.5	16.3	8.2	29.3	19.6	11.7	22.4	17.1	8.9
		6.5	11.0	29.2	19.6	9.0	22.3	17.0	6.9	31.8	20.6	9.8	24.3	17.8	7.5
10/12MB	1000	4.0	2.4	28.3	21.6	14.1	21.6	19.0	10.8	30.8	22.5	15.4	23.6	19.7	11.8
		6.0	4.8	33.9	23.7	11.3	25.9	20.6	8.6	36.9	24.8	12.3	28.2	21.6	9.4
		8.0	7.9	37.3	25.0	9.3	28.5	21.7	7.1	40.6	26.3	10.2	31.0	22.7	7.8
10/12MB	1200	5.0	3.5	33.7	25.5	13.5	25.8	22.4	10.3	36.8	26.6	14.7	28.1	23.3	11.3
		6.5	5.5	38.0	27.1	11.7	29.1	23.7	8.9	41.5	28.4	12.8	31.7	24.7	9.7
		8.0	7.9	41.0	28.2	10.3	31.3	24.6	7.8	44.7	29.6	11.2	34.1	25.7	8.5
16MB	1400	4.5	2.0	36.2	29.2	16.1	27.7	25.8	12.3	39.5	30.3	17.6	30.1	26.7	13.4
		6.0	3.3	42.4	31.4	14.1	32.4	27.6	10.8	46.2	32.8	15.4	35.3	28.7	11.8
		7.5	4.8	46.9	33.1	12.5	35.8	28.9	9.6	51.1	34.7	13.6	39.0	30.2	10.4
16MB	1600	6.0	3.3	44.2	34.1	14.7	33.8	30.0	11.3	48.2	35.5	16.1	36.8	31.2	12.3
		8.0	5.4	51.0	36.6	12.7	38.9	32.0	9.7	55.5	38.3	13.9	42.4	33.4	10.6
		10.0	7.9	55.7	38.4	11.1	42.5	33.4	8.5	60.7	40.3	12.1	46.3	34.9	9.3
20MB	1600	6.5	3.8	46.1	34.8	14.2	35.2	30.6	10.8	50.3	36.3	15.5	38.4	31.8	11.8
		8.5	6.0	52.3	37.1	12.3	39.9	32.4	9.4	57.0	38.8	13.4	43.5	33.8	10.2
		10.5	8.6	56.6	38.7	10.8	43.2	33.7	8.2	61.7	40.7	11.8	47.1	35.2	9.0
20MB	2000	7.0	4.3	52.4	40.9	15.0	40.0	36.1	11.4	57.1	42.6	16.3	43.6	37.4	12.5
		10.0	7.9	61.7	44.3	12.3	47.1	38.8	9.4	67.3	46.4	13.5	51.4	40.5	10.3
		13.0	12.5	67.5	46.5	10.4	51.6	40.5	7.9	73.6	48.8	11.3	56.2	42.4	8.6

**NOTE:**

1. All cooling coils have four rows.
2. Contact factory for capacities at other conditions.

In keeping with its policy of continuous progress and product improvement, First Operations reserves the right to make changes without notice. Maintenance for all First Co. products is available under "Product Maintenance" at [www.firstco.com](http://www.firstco.com).

# MB-HW SERIES



<b>ACCESSORIES:</b> (field installed) MB, MB-HW, MBE Series	
<b>Power Heads: (two power heads required for 4-pipe) - For all units</b>	
E50131180	24V
E50132180	110V/50Hz - 120V/60Hz
E50137180	277V
E50138180	220V/50Hz - 230/60Hz
<b>Seperate Valve Bodies:</b> (order power heads separately)	
E421317	3/4" 2-way - For (PHYB, 8-12MB/MBE/MB-HW (and 8-16MB-HW htg.coil)
E431317	3/4" 3-way - For (PHYB, 8-12MB/MBE/MB-HW (and 8-16MB-HW htg.coil)
E421417	1" 2-way - For 16 - 20MB/MBE/MB-HW (and 20MB-HW htg. coil)
E431417	1" 3-way - For 16 - 20MB/MBE/MB-HW (and 20MB-HW htg. coil)
<b>Hand Valves:</b> (Combination balance / shut-off) (2 usually req'd per coil)	
CP90	3/4" For 8-12MB/MBE/MB-HW )8-16MB-HW Htg. coil)
CP905	1" For 16-20MB/MBE/MB-HW (16 and 20MB-HW Htg. coil)
<b>Relay - Transformer</b>	
310-E301	120 / 24V for ALL 120V motors

**NOTE:**

1. Power head leads are 18".



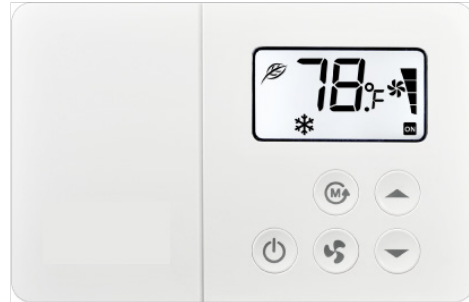
# MB-HW SERIES

## Autospeed 24V™ Thermostats

(Part #'s T200/T201)

### Accurate, Efficient, and Quiet Fan Coil Operation

The new **Autospeed 24V™** thermostat (part's # T200 and T201) provides 24V AC single stage temperature control of 2 pipe and 4 pipe fan coil applications. The T200/T201 thermostat offers maximum comfort and efficiency by automatically selecting the appropriate High, Medium, or Low fan speed, depending on room temperature and thermostat temperature setting. This automatic fan speed control not only brings the room temperature to the desired set point quickly, it maintains the room temperature with the most efficient fan speed selection. Once the desired room temperature is achieved the fan coil operates on low speed for extremely quiet operation. The fan coil control board (which is factory installed in all CW units) is a circuit board that provides control of a 3-speed line voltage fan motor. The control board allows the thermostat to control the fan motor even though, by itself, the thermostat does not have the amperage capability nor the voltage rating capability to control the fan motor.



(T200 shown with wall plate)

- Compatible with 2 pipe and 4 pipe fan coils: Series HBC/PHBC/RHBC/CHBC, MB/MB-HW, HYB/PHYB, and CW/CH-HW/CWE
- Automatic fan speed control
- Cycle fan or continuous fan operation
- **T200**-Manual Heat / Cool changeover switch
- **T201**-Automatic Heat / Cool changeover switch
- Large LED digital display
- Allows less expensive 24V control wiring from the fan coil to the thermostat, rather than larger, more expensive line voltage wiring.
- 3-speed fan operation, with speed indicator lights
- Fan speed determination:
  - If room temperature is 4 degrees (F.) off thermostat set point, fan will operate on High speed.
  - If 3 degrees off set point, fan will operate on Medium speed.
  - If within 2 degrees of set point, fan will operate on Low speed.
- One or 3 hour Auto override - Fan speed defaults to “Auto” mode after 1 hour if the user manually changes it to a particular fan speed.
- Temperature set range: 64-88 degrees F.
- Adjustable high and low temperature set points
- Selectable Fahrenheit / Centigrade display
- Power switch turns system off/on
- Requires 7-wire 24V thermostat wire
- No batteries required
- Set points are permanently retained in memory in case of power interruption
- Simple operation
- Mercury Free
- Wall plate included

DISPLAY CODES		
DIS-PLAY	STEADY	FLASHING
P1	Auto fan timer - 1 hour (default)	Auto fan timer - 3 hour
P2	Continuous fan (default)	Cycled fan
P3	°F (default)	°C
P4	Cycled fan standard	Cycled fan overdrive (default)
P5	Low temp limit 64 °F (default)	Low temp limit 67 °F
P6	Hi temp limit 88 °F (default)	Hi temp limit 84 °F



FIRST CO.  
P.O. BOX 270969 - DALLAS, TEXAS 75227  
PH. (214) 388-5751 | SALES@FIRSTCO.COM  
WWW.FIRSTCO.COM